



8085T

Tele Wheel Loader 8085T



The telehandlers amongst wheel loaders

The tele wheeled loaders of Kramer's 80-series set new standards in terms of technology, performance and comfort. Other plus points are versatility in use, optimal power to weight ratio and exceptional performance statistics.

- Fully-fledged wheel loaders with extra reach as well as stacking and dumping height
- One-piece frame and all-wheel steering
- Hydraulic quick-hitch system and parallel-controlled loading system
- Particularly spacious panoramic cab with the highest level of operator comfort
- Efficient drive system, low operating costs and high variety of options



KRAMER
on the safe side





8085T

Tele Wheel Loader 8085T

Technical specifications

Operating data

Bucket capacity (standard bucket)	0.85 m ³
Operating weight	5,500 kg

Engine / Motor

Engine / Motor manufacturer	Deutz
Engine performance	55.4 kW

Power transmission

Travel speed (Series)	20 km/h
Travel speed (Option)	40 km/h
Differential lock	100 % VA
Standard tires	12.5-20

Steering and operating hydraulics

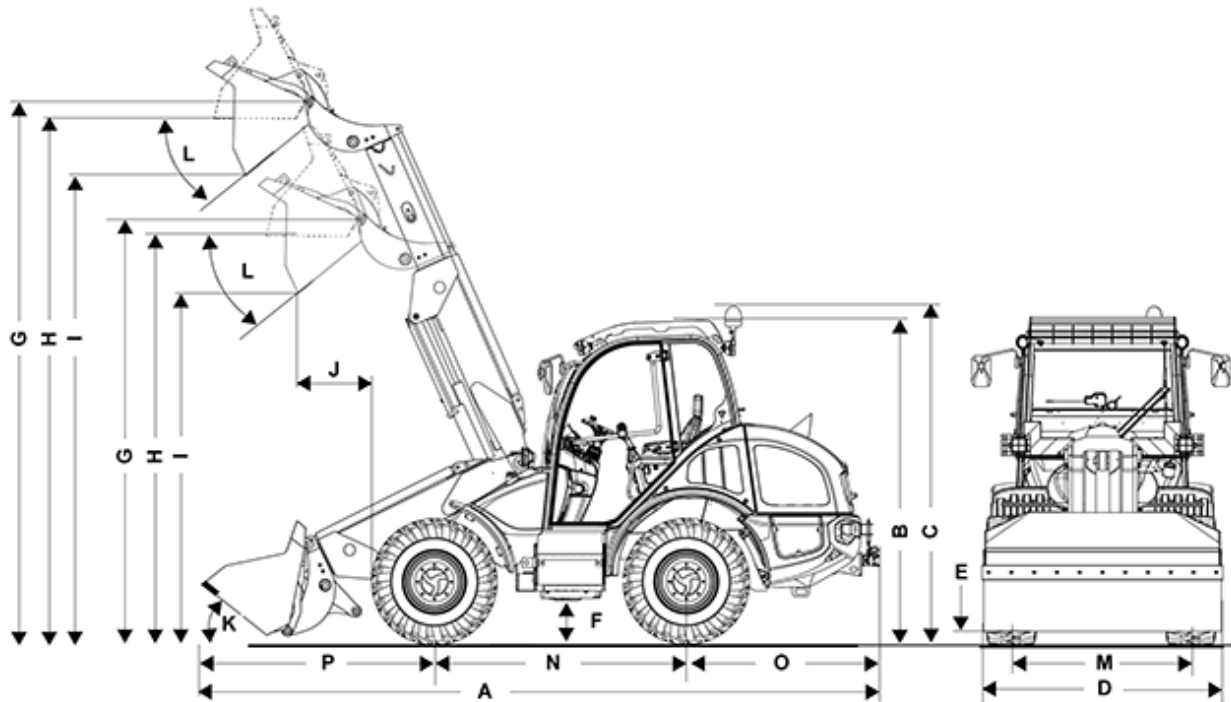
Flow rate	70 l/min
Pressure	240 bar
Flow rate (Option)	115 l/min

Kinematics

Tipping load (with standard bucket)	3,300 kg
Payload S=1.25	2,000 kg



Dimensions



A	Length	5,870 mm
B	Height	2,590 mm
C	Height	2,830 mm
D	Width	1,950 mm
E	Ground clearance	250 mm
F	Ground clearance	330 mm
G	Bucket pivot point (extended)	3,610 mm
G	Bucket pivot point	4,690 mm
H	Overhead loading height (extended)	3,440 mm
H	Overhead loading height	4,520 mm
I	Dumping height (extended)	3,010 mm
I	Dumping height	4,010 mm
J	Dump reach (extended)	620 mm



J	Dump reach	1,080 mm
K	Tilt-in angle	40 °
L	Tip-out angle	40 °
M	Track width	1,400 mm
N	Wheelbase	2,020 mm
O	Center of rear axle to end of vehicle	1,490 mm
P	Center of front axle to tip of teeth	2,270 mm
	Bucket width	1,950 mm
	Stack height (extended)	4,470 mm
	Turning radius (over tyres)	2,840 mm

Information on suitable accessories can be found on our website.

The right to make changes is reserved in the interests of ongoing further developments. You can find more information on the engine power in the operator's manual. The actual power output figures may vary due to specific operating conditions.

Information on suitable accessories can be found on our website. More detailed information on engine power can be found in the operator's manual; the stated power may vary due to specific operating conditions. Subject to alterations and errors excepted. Applicable also to illustrations. Copyright © 2017 Kramer-Werke GmbH.