



5095

Wheel Loaders 0.7 - 0.95 m³



The down-to-earth performer

The new 5 Series models feature simple operation, compact design, and manoeuvrability. Even in the economy class, the rigid frame and all-wheel steering provide all the Kramer benefits such as constant payload, stability, and manoeuvrability.

- Undivided frame and all-wheel steering for constant payload and manoeuvrability
- The 5085T features a hydraulic quick-hitch system and a parallel loading system as well as Z-kinematics.
- Spacious newly developed cab with superb all-round visibility
- Efficient high-pressure drive system for low operating costs and high thrusting force
- Diverse options provide versatility



5095

Wheel Loaders 0.7 - 0.95 m³

Technical specifications

Operating data

Bucket capacity (standard bucket)	0.95 m ³
Operating weight	4,800 kg

Engine / Motor

Engine / Motor manufacturer	Kohler
Engine performance	55.4 kW

Power transmission

Travel speed	20 km/h
Travel speed (optional)	30 km/h
Differential lock	100% connectable
Standard tires	12.5-20

Steering and operating hydraulics

Flow rate (pump)	70 l/min
Pressure (maximum)	240 bar

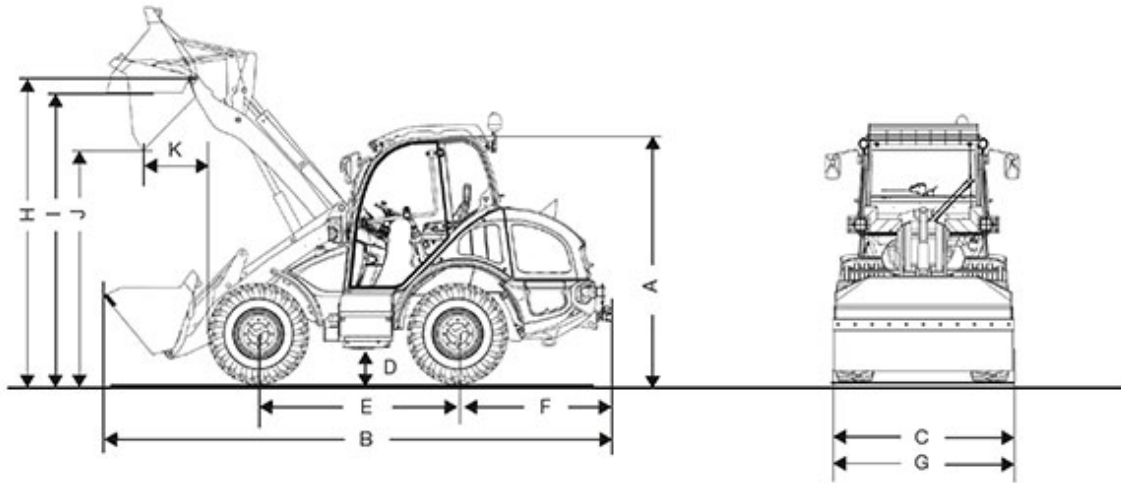
Kinematics

Tipping load (with standard bucket)	3,700 kg
Payload (S = 1.25)	2,300 kg

Additional technical data is available in the detailed brochure within the information section



Dimensions



A	Height	2,480 mm
B	Length	5,410 mm
C	Width	1,720 mm
D	Ground clearance	330 mm
E	Wheelbase	2,020 mm
	Center of front axle to tip of teeth	1,900 mm
F	Center of rear axle to end of vehicle	1,490 mm
G	Bucket width	1,950 mm
H	Bucket pivot point	3,290 mm
I	Overhead loading height	3,090 mm
J	Dumping height	2,580 mm
K	Dump reach	650 mm
	Stack height	3,040 mm



Turning radius (above tyres)

2,840 mm

Information on suitable accessories can be found on our website.

The right to make changes is reserved in the interests of ongoing further developments. You can find more information on the engine power in the operator's manual. The actual power output figures may vary due to specific operating conditions.

Information on suitable accessories can be found on our website. More detailed information on engine power can be found in the operator's manual; the stated power may vary due to specific operating conditions. Subject to alterations and errors excepted. Applicable also to illustrations. Copyright © 2017 Kramer-Werke GmbH.