



5085T

Tele Wheel Loaders 5085T



The down-to-earth performer

The new 5 Series models feature simple operation, compact design, and manoeuvrability. Even in the economy class, the rigid frame and all-wheel steering provide all the Kramer benefits such as constant payload, stability, and manoeuvrability.

- Undivided frame and all-wheel steering for constant payload and manoeuvrability
- The 5085T features a hydraulic quick-hitch system and a parallel loading system as well as Z-kinematics.
- Spacious newly developed cab with superb all-round visibility
- Efficient high-pressure drive system for low operating costs and high thrusting force
- Diverse options provide versatility



5085T

Tele Wheel Loaders 5085T

Technical specifications

Operating data

Bucket capacity (standard bucket)	0.85 m ³
Operating weight	5,500 kg

Engine / Motor

Engine / Motor manufacturer	Kohler
Engine performance	55.4 kW

Power transmission

Travel speed (Series)	20 km/h
Travel speed (optional)	30 km/h
Differential lock	Self-locking differential
Standard tires	12.5–20

Steering and operating hydraulics

Flow rate (pump)	70 l/min
Pressure (maximum)	240 bar

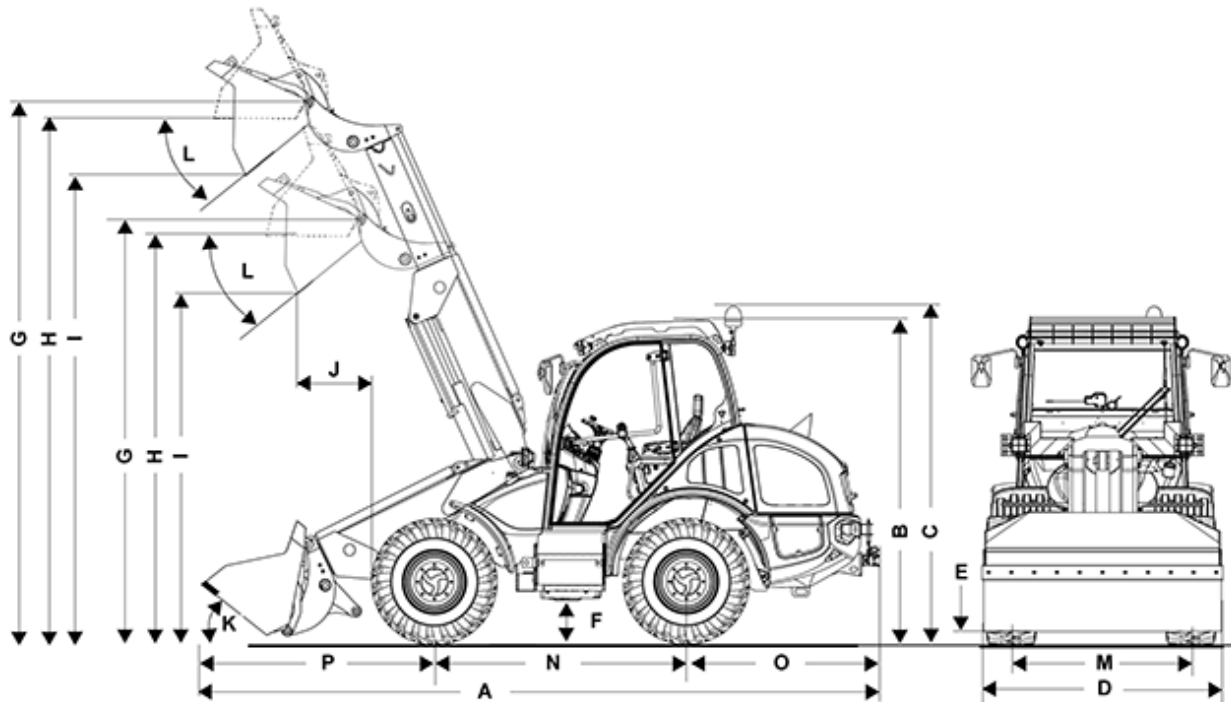
Kinematics

Tipping load (with standard bucket)	3,150 kg
Payload (S = 1.25, retracted)	2,000 kg

Additional technical data is available in the detailed brochure within the information section



Dimensions



A	Length	5,890 mm
B	Height	2,590 mm
C	Height	2,830 mm
D	Width	1,850 mm
E	Ground clearance	250 mm
F	Ground clearance	330 mm
G	Bucket pivot point (extended)	3,610 mm
G	Bucket pivot point	4,690 mm
H	Overhead loading height (extended)	3,440 mm
H	Overhead loading height	4,520 mm
I	Dumping height (extended)	3,010 mm
I	Dumping height	4,010 mm
J	Dump reach (extended)	620 mm



J	Dump reach	1,080 mm
K	Tilt-in angle	40 °
L	Tip-out angle	40 °
M	Track width	1,400 mm
N	Wheelbase	2,020 mm
O	Center of rear axle to end of vehicle	1,490 mm
P	Center of front axle to tip of teeth	2,250 mm
	Bucket width	1,950 mm
	Stack height (extended)	4,470 mm
	Turning radius (above tyres)	2,840 mm

Information on suitable accessories can be found on our website.

The right to make changes is reserved in the interests of ongoing further developments. You can find more information on the engine power in the operator's manual. The actual power output figures may vary due to specific operating conditions.

Information on suitable accessories can be found on our website. More detailed information on engine power can be found in the operator's manual; the stated power may vary due to specific operating conditions. Subject to alterations and errors excepted. Applicable also to illustrations. Copyright © 2017 Kramer-Werke GmbH.