



## 5065T

Tele Wheel Loaders 5065T



### The compact genius among wheel loaders

Compact and manoeuvrable wheel loaders for various applications with performance hydraulics power flow (option). With an optimised power to weight ratio, low shipping weight and continuous high payload, the efficiency of this model series is of great benefit to end users.

- One-piece frame and all-wheel steering
- Hydraulic quick coupler system and parallel-controlled loading system
- Spacious cabin with perfect all-round visibility
- Efficient drive and low operating costs
- Diverse options provide versatility



## 5065T

Tele Wheel Loaders 5065T

### Technical specifications

#### Operating data

Bucket capacity	0.65 m <sup>3</sup>
Operating weight	4,350 kg

#### Engine / Motor

Engine / Motor manufacturer	Yanmar
Engine performance	35 kW

#### Power transmission

Travel speed	20 km/h
Travel speed	27 km/h
Differential lock	100% VA
Standard tires	12.15-18

#### Steering and operating hydraulics

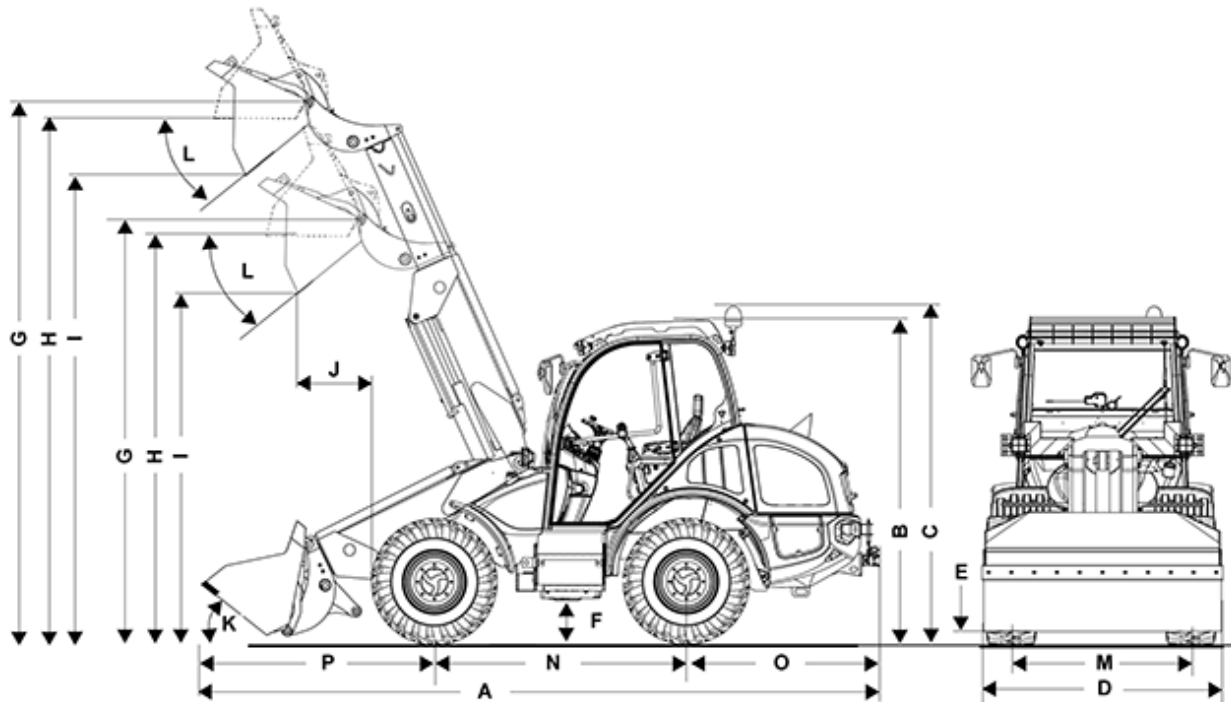
Flow rate	50 l/min
Pressure	240 bar

#### Kinematics

Tipping load	2,500 kg
Payload	1,650 kg



## Dimensions



A	Length	5,350 mm
B	Height	2,470 mm
C	Height	2,670 mm
D	Width	1,590 mm
E	Ground clearance	250 mm
F	Ground clearance	280 mm
G	Bucket pivot point	3,420 mm
G	Bucket pivot point	4,270 mm
H	Overhead loading height	3,160 mm
H	Overhead loading height	4,010 mm
I	Dumping height	2,650 mm
I	Dumping height	3,500 mm
J	Dump reach	560 mm



J	Dump reach	810 mm
K	Tilt-in angle	30 °
L	Tip-out angle	40 °
M	Track width	1,262 mm
N	Wheelbase	2,000 mm
O	Center of rear axle to end of vehicle	1,320 mm
P	Center of front axle to tip of teeth	1,992 mm
	Bucket width	1,650 mm
	Stack height	4,030 mm
	Turning radius	2,900 mm

**Information on suitable accessories can be found on our website.**

The right to make changes is reserved in the interests of ongoing further developments. You can find more information on the engine power in the operator's manual. The actual power output figures may vary due to specific operating conditions.

Information on suitable accessories can be found on our website. More detailed information on engine power can be found in the operator's manual; the stated power may vary due to specific operating conditions. Subject to alterations and errors excepted. Applicable also to illustrations. Copyright © 2017 Kramer-Werke GmbH.