



## 5035

Wheel Loaders 0.25 - 0.65 m<sup>3</sup>



### The compact genius among wheel loaders

Compact and manoeuvrable wheel loaders for various applications with performance hydraulics power flow (option). With an optimised power to weight ratio, low shipping weight and continuous high payload, the efficiency of this model series is of great benefit to end users.

- One-piece frame and all-wheel steering
- Hydraulic quick coupler system and parallel-controlled loading system
- Spacious cabin with perfect all-round visibility
- Efficient drive and low operating costs
- Versatility through third control circuit and power flow



## 5035

Wheel Loaders 0.25 - 0.65 m<sup>3</sup>

### Technical specifications

#### Operating data

|                                   |                     |
|-----------------------------------|---------------------|
| Bucket capacity (standard bucket) | 0.35 m <sup>3</sup> |
| Operating weight (CANOPY)         | 1,720 kg            |

#### Engine / Motor

|                             |        |
|-----------------------------|--------|
| Engine / Motor manufacturer | Yanmar |
| Engine performance          | 23 kW  |

#### Power transmission

|                |            |
|----------------|------------|
| Travel speed   | 20 km/h    |
| Standard tires | 28x9.00-15 |

#### Steering and operating hydraulics

|                      |          |
|----------------------|----------|
| Flow rate (pump)     | 20 l/min |
| Pressure             | 240 bar  |
| Flow rate (optional) | 60 l/min |

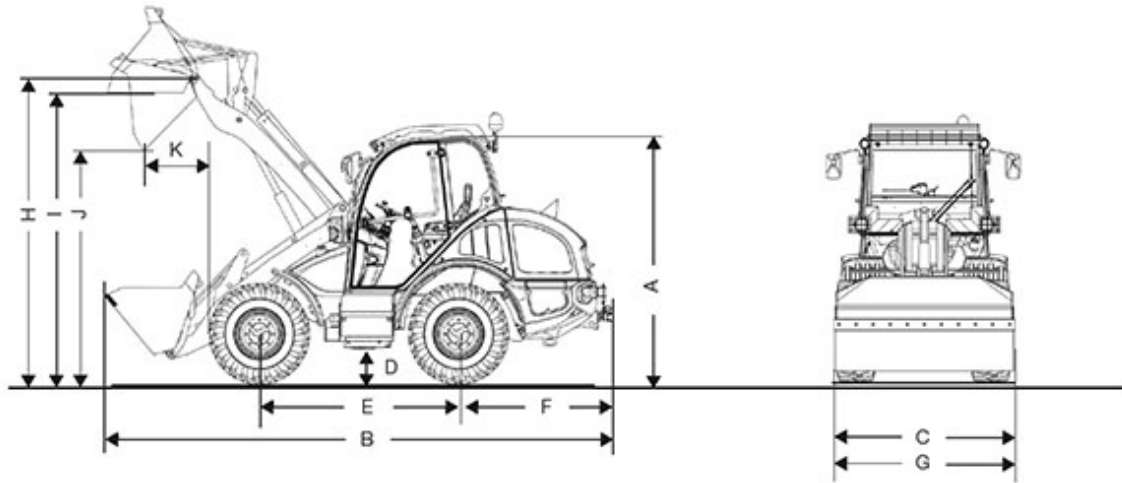
#### Kinematics

|                            |          |
|----------------------------|----------|
| Tipping load (with bucket) | 1,250 kg |
| Payload (S=1.25)           | 750 kg   |

Additional technical data is available in the detailed brochure in the informational material section



## Dimensions



|   |                                       |          |
|---|---------------------------------------|----------|
| A | Height                                | 1,990 mm |
| B | Length                                | 4,080 mm |
| C | Width                                 | 1,200 mm |
| D | Ground clearance                      | 230 mm   |
| E | Wheelbase                             | 1,525 mm |
|   | Center of front axle to tip of teeth  | 1,360 mm |
| F | Center of rear axle to end of vehicle | 1,195 mm |
| G | Bucket width                          | 1,200 mm |
| H | Bucket pivot point                    | 2,790 mm |
| I | Overhead loading height               | 2,680 mm |
| J | Dumping height                        | 2,250 mm |
| K | Dump reach                            | 165 mm   |
|   | Stack height                          | 2,680 mm |



Turning radius (over tyres)

1,950 mm

**Information on suitable accessories can be found on our website.**

The right to make changes is reserved in the interests of ongoing further developments. You can find more information on the engine power in the operator's manual. The actual power output figures may vary due to specific operating conditions.

Information on suitable accessories can be found on our website. More detailed information on engine power can be found in the operator's manual; the stated power may vary due to specific operating conditions. Subject to alterations and errors excepted. Applicable also to illustrations. Copyright © 2017 Kramer-Werke GmbH.